

Live Sound / Club Music
Theater
Rental
House of Worship



- Audio quality without any compromise
- Reference audio with ultra linear frequency response
- Diversity Receiver with two matched antennas ensures reliable transmission
- Stable signal due to a new reference radio electronic design with narrow filter
- Quick frequency change function to support monitor engineers
- Manual radio signal attenuator for a robust radio quality and more RF dynamic

МУЗЦЕНТР
МУЗЫКАЛЬНОЕ ОБОРУДОВАНИЕ
<https://muzcentre.ru>

IVM 4500 IEM Set In-Ear Monitoring System

AKG **IVM 4500 IEM** in-ear monitoring provides higher level audio quality without compromising reference capability and caters to all needs of engineers with leading edge reference audio technology.

IVM 4500 IEM offers a highly diversified system, which includes high-end radio electronic and a manual radio signal attenuator for more RF dynamic. **Antenna diversity**, with two matched antennas and a new **reference radio electronic design** contribute to the stable signals of the receiver.

The enhanced frequency setup shows the number of free channels, and new preset groups support TV channels. A quick frequency change function **supports monitor engineers** throughout performances to make their projects easily adjustable.

With 30 MHz tuning range you can select 1200 frequencies and operate with up to **14 channels** simultaneously within the same frequency band. Receivers are powered by two AA size **Alkaline** (LR6), **Lithium** (FR6), **AKG BP 4000** μ C controlled battery pack or **Ni-MH rechargeable** (HR6) battery and provide up to 10 hours of continuous operation.

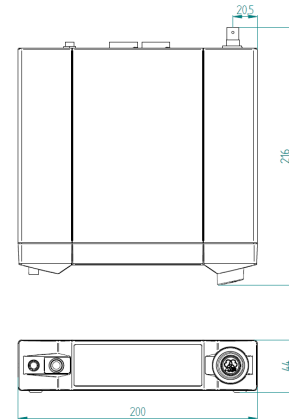
Included in the IVM 4500 IEM system are the SPR 4500 IEM diversity receiver, the SST 4500 IEM transmitter and the IP 2 ear-channel headphones. The SPC 4500 antenna combiner, the SRA 2 W directional antenna and the RA 4000 W omni-directional antenna complete the system.



Live Sound / Club Music
Theater
Rental
House of Worship



- Stereo Transmitter with **patented digital MPX generation**
- Adjustable radio output power of 10, 20, 50 and 100 mW (country dependent)
- **Ultra linear frequency response**
- Premium SNR
- Reference audio dynamic
- **dbx professional digital signal processing**
Low cut, compressor, equalizer and unique binaural room simulations for a natural listening experience
- Rugged **half 19" metal housing** diversity receiver
- Up to **14 pre-programmed frequencies** per group
- PC control optional HUB 4000 Q



SST 4500 IEM

SST 4500 IEM Stereo Transmitter Specifications

Carrier frequency range	Band 1: 650.1 to 680.5 MHz Band 3-A: 720 to 750.5 MHz Band 3-K: 740.1 to 751.9 MHz Band 4: 759.5 to 789.9 MHz Band 5-A: 790.1 to 819.9 MHz Band 5-JA: 797.125 to 805.875 MHz	Band 5-TH: 790.1 to 805.9 MHz Band 5-IL: 794.1 to 805.9 MHz Band 7: 500.1 to 530.5 MHz Band 8: 570.1 to 600.5 MHz Band 9: 600.1 to 605.9 & 614.1 to 630.5 MHz Band 9-U: 600.1 to 630.5 MHz
Switching bandwidth	≤ 30.5 MHz (country dependent)	
Output Power	10, 20, 50 and 100mW selectable (country dependent)	
Modulation	FM, MPX Stereo	
Audio bandwidth	35 – 20 000 Hz (± 3 dB)	
T.H.D.	≤ 0.5 %	
Audio Inputs	2 x combined XLR balanced / TS ¼" jack sockets unbalanced	
Audio Outputs	2 x Loop TS ¼" jack sockets unbalanced 1 x Line TS ¼" jack sockets balanced	
Headphones Output	1 x TS ¼" jack sockets balanced	
Dimensions	½ 19 inch 1U rack, 200 mm (7.8 in.) × 44 mm (1.7 in.) × 216 mm (8.5 in.)	
Net Weight	1070 g (2.36 lbs.)	
Standard Accessories	1 UHF antennas, power supply, rack mount kit	

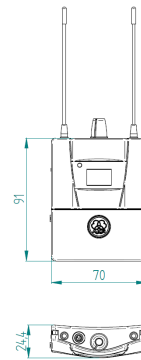
Item number: SST 4500 3095H00..

Architects' and Engineers' Specifications

The stereo stationary transmitter shall operate over a 30 MHz UHF frequency range in one of 7 bands from 500 MHz to 823 MHz. The transmitter shall offer up to 1200 discrete operating frequencies within that band. The transmitter shall provide a rugged half-rack metal case with backlit LC color display. An integrated signal processor shall provide an adjustable low cut filter, equalizer-, binaural room simulation-, and compressor presets. The transmitter shall provide indicators for audio input level, gain reduction of compressor/limiter, activated audio-processing blocks, actual transmitting power, device name, frequency group and channel. Rear panel BNC socket shall allow either the supplied antenna or a complex antenna network to be connected to the transmitter. The transmitter radio output power shall be software adjustable up to 100mW. The squelch threshold shall be adjustable between -82 and -100 dBm. The transmitter's audio bandwidth shall be 35 Hz to 20 kHz; S/N 90 dB(A); THD <0.8% at 1 kHz and stereo, mono and dual function shall provided as well as a SR4500 function for a stationary transmission to a SR4500 receiver. Audio inputs shall comprise a XLR/jack hybrid connector with ±20 dB adjustable input gain. The transmitter shall provide two 1/4" TS jack audio loop outputs for flexible mix setups, a 1/4" TS stereo jack output for line signal and a 1/4" TS stereo jack output for headphones. A RJ11 data port for connecting HUB 4000 Q communicating with Harman System Architect PC software shall be provided. The transmitter shall provide a lockable DC input for the supplied 12 V DC power supply. The transmitter shall measure 200 x 216 x 44 mm (W x D x H) and weigh 1070 g. The transmitter shall be the AKG SST 4500 or equivalent.

Live Sound / Club Music
Theater
Rental
House of Worship

- **Diversity bodypack receiver** with rugged metal housing
- Reference audio quality with **ultra linear frequency response**
- High-end and powerful headphone amplifier
- Two matched antennas and a new reference radio electronic design **ensure reliable transmission**
- Enhanced automatic setup **shows number of free channels**
- Preset groups support TV channels
- Manual radio signal attenuator
- **Quick change of individual programmed frequencies** for monitor engineers
- Stereo, Mono and Dual mode for individual mix
- Operates for up to ten hours off two AA size dry lithium batteries, six hours off two AA size dry alkaline batteries and 7 hours off optional BP 4000 battery pack with μ C controlled battery management



SPR 4500 IEM

SPR 4500 IEM Transmitter Specifications

Carrier frequency range	Band 1: 650.1 to 680.5 MHz	Band 5-TH: 790.1 to 805.9 MHz
	Band 3-A: 720 to 750.5 MHz	Band 5-IL: 794.1 to 805.9 MHz
	Band 3-K: 740.1 to 751.9 MHz	Band 7: 500.1 to 530.5 MHz
	Band 4: 759.5 to 789.9 MHz	Band 8: 570.1 to 600.5 MHz
	Band 5-A: 790.1 to 819.9 MHz	Band 9: 600.1 to 605.9 & 614.1 to 630.5 MHz
	Band 5-JA: 797.125 to 805.875 MHz	Band 9-U: 600.1 to 630.5 MHz
Switching bandwidth	≤ 30.5 MHz (country dependent)	
Output Power	10, 20, 50 and 100mW selectable (country dependent)	
Modulation	FM, MPX Stereo	
Channel separation	> 40 dB(A)	
Audio bandwidth	35 – 15 000 Hz (± 3 dB)	
T.H.D.	≤ 0.8 %	
SNR (A-weighted)	typ. >90 dB(A)	
Audio Output	3.5mm jack socket, 150 mW (rms)/16 Ohm	
Battery life	6 bis 10 Stunden volume dependent, 2 Batteries AA or BP 4000	
Dimensions	70 x 91 x 25 mm (2.8 x 3.5 x 1 in.)	
Net Weight	165 g (0.36 lbs.)	
Patents	Remaining battery life (Patent no. AT 408.280, GB 2.349.230, US 6,344,730)	

Item number: SPR 4500 3096H00xx0

Architects' and Engineers' Specifications

The diversity bodypack receiver shall operate over a 30 MHz UHF frequency range in one of 7 bands from 500 MHz to 823 MHz. The receiver shall offer up to 1,200 discrete operating frequencies within that band. The receiver shall operate on a diversity principle and shall be housed in a rugged metal case. The receiver shall provide intermodulation-free frequencies from an integrated frequency database and an automatic function for finding an available frequency. Total harmonic distortion at 1 kHz for rated deviation shall be no greater than 0.8% and stereo, mono and dual function for individual mix shall provided. The receiver shall provide a manual squelch adjustment and a manual radio signal attenuator for optimum system operation. Headphone output shall be a 3.5 mm stereo jack connector. The bodyback receiver shall be controlled by a jog and shall provide a backlit display with automatic power saving as well as a programmable LED (red/green) showing the overall system status. The display shall indicate the transmitter battery capacity, as well as the radio signal input level, frequency, frequency group and channel. The audio bandwidth of the receiver shall be 35 Hz to 15 kHz; S/N 90 dB(A); THD at 1 kHz $<0.8\%$. The receiver shall operate with a companding system that is complemented by the transmitter. The diversity receiver shall provide a quick change of individual programmed frequencies to support monitor engineers. Charging contacts on the bottom panel shall allow the easy charging of a battery pack inside the transmitter. The receiver shall operate off two AA size LR6 dry batteries, two AA size NiMH rechargeable batteries or a μ C controlled battery pack or two AA size FR6 lithium batteries. The receiver shall measure 70 x 91 x 25 mm and weigh 165 g. The diversity bodypack receiver shall be the AKG SPR 4500 IEM or equivalent.

Live Sound / Club Music
Theater
Rental
House of Worship



- Stationary 4:1 combiner
- Powers transmitters via antenna lines
- Rugged half 19" all metal case
- Combines antenna signals of up to four SST 4500 IEM stereo transmitters



SPC 4500

SPC 4500 Combiner Specifications

Carrier frequency range	500 to 865 MHz
Max. Input Power	3 to 4 x 20mW inputs or 2 x 50mW inputs
System Gain	0 dB
Audio bandwidth	35 – 20 000 Hz (± 3 dB)
T.H.D.	≤ 0.5 %
Radio Signal Inputs	4 x BNC socket, 50 Ohm
Radio Signal Output	1 x BNC socket, 50 Ohm
Dimensions	½ 19 inch 1U rack, 200 mm (7.8 in.) × 44 mm (1.7 in.) × 216 mm (8.5 in.)
Net Weight	1193 g (2.6 lbs.)
Standard Accessories	Power supply, rack mount kit

Item number: **SPC 4500** 3098H00010

Architects' and Engineers' Specifications

The 4:1 antenna combiner shall comprise a stackable, active wideband antenna booster and antenna distribution system within a half-rack metal case and include a rack mounting kit. The antenna combiner shall operate in a carrier frequency range of 500 to 865 MHz. The antenna combiner shall provide the following inputs, outputs, controls, and indicators: 4 x 50 ohm BNC antenna input sockets, 1 x 50 ohm BNC antenna output socket. Green, orange and red status LED shall indicate correct or incorrect function of the combiner. The transmitters connected to the antenna combiner shall be powered via the appropriate antenna cable. Unused antenna outputs shall be automatically terminated with a 50 ohm terminal. A power supply for up to 4 SST 4500 IEM transmitter shall be available as an optional accessory. The antenna combiner shall operate from 12 VDC and provide a lockable DC input for the supplied 12 V DC power supply. The combiner shall measure 200 x 216 x 44 mm (7.8 x 8.5 x 1.7 in.), and weigh 1193 g (2.6 lbs.). The antenna combiner shall be the AKG SPC 4500 or equivalent.

IVM 4500 Components



IVM 4500 Set

- SST 4500 Stationary Transmitter
- SPR 4500 Bodypack Receiver
- IP 2 Ear Channel Headphones
- 19" Rack Mount Kit
- 2x AA size LR6 Battery
- 12V EU/US/UK Power Supply
- ¼-Wave Antenna

Item number:
3097H00xx0



SST 4500

- SST 4500 Stationary Transmitter
- 19" Rack Mount Kit
- 12V EU/US/UK Power Supply
- ¼-Wave Antenna

Item number:
3095H00xx0



SPR 4500 Set

- SPR 4500 Bodypack Receiver
- IP 2 Ear Channel Headphones
- 2x AA size LR6 Battery

Item number:
3096H00xx0



SPC 4500

- SPC 4500 Stationary 1:4 Combiner
- 19" Rack Mount Kit
- 12V EU/US/UK Power Supply

Item number:
3098H00010

Antenna



SRA 2 W

- Passive Directional Antenna
- 50 Ohm
- 4-6 dB Gain

For use with short cable runs
RG58: <10 m/30 ft
RG213 or low loss cable: <20 m/60 ft

Item number:
3009H00150



RA 4000 W

- Passive Omni-Directional Antenna
- 50 Ohm
- 1-2 dB Gain

For use with short cable runs
RG58: <5 m/30 ft
RG213 or low loss cable: <10 m/30 ft

Item number:
2632H00310



AC12 EU/US/UK 2000mA

- Wall Plug 12V/2A Power Supply
- EU connector
- US connector
- UK connector

One high current 12V/2A DC output feed the power to SPC 4500 antenna splitter. (Attention: SPC 4500 needs 2x 12V/2A!) Via SPC 4500 four SST 4500 transmitter get the power through the antenna cable.

Item number:
7601H00110



PSU 4000

- PSU 4000 Stationary Power Supply
- 19" Rack Mount Kit
- IEC Power Cable (optional)
- 3x lockable DC cable

Three high current 12V/2A DC outputs feed the power to SPC 4500 antenna splitter. (Attention: SPC 4500 needs 2x 12V/2A!) Via SPC 4500 four SST 4500 transmitters get the power through the antenna cable.

Item number:
2997H000x0

Architects' and Engineers' Specifications

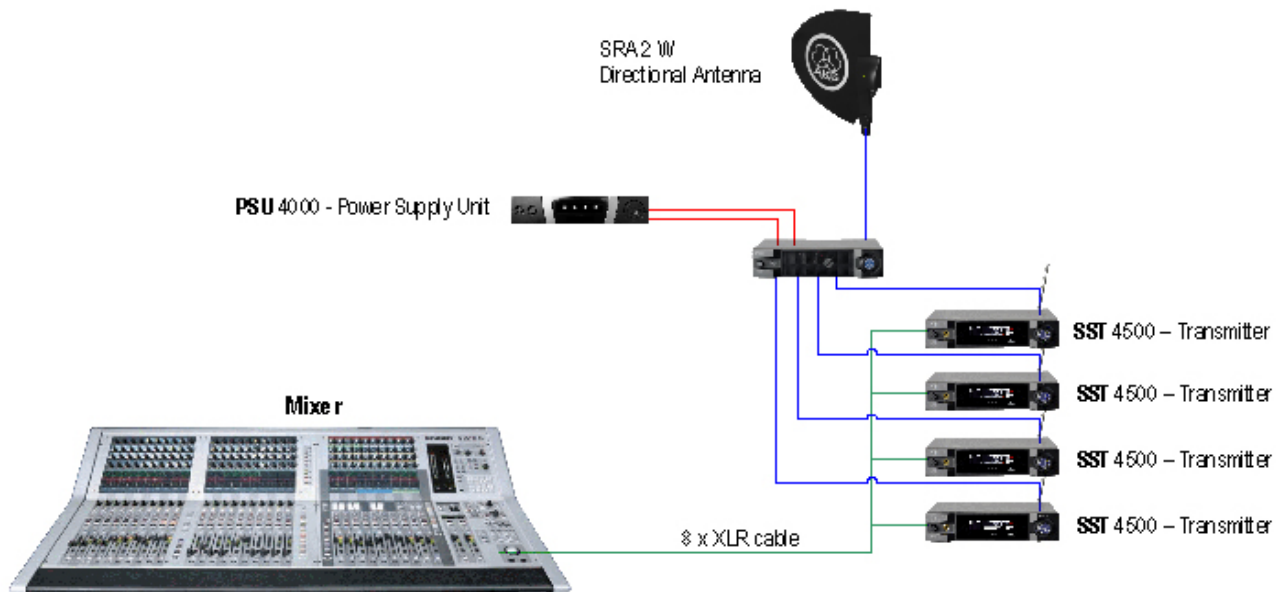
SRA 2 W

The antenna shall be a passive directional antenna operating in the UHF range. The antenna gain of 4 dB shall allow for the use of RG 58 cables up to 10 m long or RG 213 cables up to 20 m long. The antenna shall feature an integrated, swivelling 3/8" stand adapter thread, and 50-ohm BNC connectors. The carrier frequency range of the antenna shall be 500 MHz to 865 MHz, its antenna gain 4 dB. The passive directional antenna shall be the SRA 2 W from AKG.

RA 4000 W

The antenna shall be an passive omni-directional antenna operating in the UHF range. The antenna shall feature an 50-ohm BNC connectors, and include an SA 63 stand adapter. The carrier frequency range of the antenna shall be 500 MHz to 865 MHz, its antenna gain 1 dB. The omni-directional antenna shall be the RA 4000 W from AKG.

4 Channel IVM 4500 System



4 Channel System Part List

- 4 x 3097H00xx0 IVM 4500 IEM (3095H00xx0 - SST 4500 IEM + 3096H00xx0 - SPR 4500 IEM)
- 1 x 3098H00xx0 SPC 4500
- 1 x 3009H00150 SRA 2 W or 1 x 2632H00310 RA 4000 W
- 4 x 6000H02060 MK PS – RG58 cable 0.65m
- 1 x 2455Z00620 MK A5 – RG58 cable 5m
- 2 x 7601H00110 AC12 EU/US/UK 2000mA or 1 x 2997H000x0 PSU 4000



www.akg.com

AKG Acoustics GmbH

Lemböckgasse 21–25, 1230 Vienna/AUSTRIA, phone: + 43 1 86654 0

e-mail: sales@akg.com

AKG Acoustics, U.S.

8400 Balboa Boulevard, Northridge, CA 91329, U.S.A., phone: + 1 818 920 3212

e-mail: akgusa@harman.com

For other products and distributors worldwide visit www.akg.com

Specifications subject to change without notice.



by HARMAN